

INSTRUCTION MANUAL

MODEL:CTSH9003+CTSH9007

IMPORTANT NOTICE

- Before the installation process begins, ensure that all components are in the box, and that the door is not damaged in any way.
- Be careful when moving the product, especially the glass, as it is tempered and is designed to shatter if cracked or chipped.
- Read these instructions carefully and install the enclosure as specified below. We recommend that you use one of our preferred installers to install this enclosure.

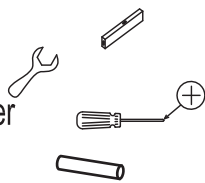
Tools used during installation.

Spirit level

Spanner

Star screwdriver

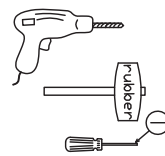
leading tube



Electric Drill

Rubber hammer

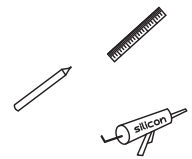
Flat screwdriver



Measuring tape

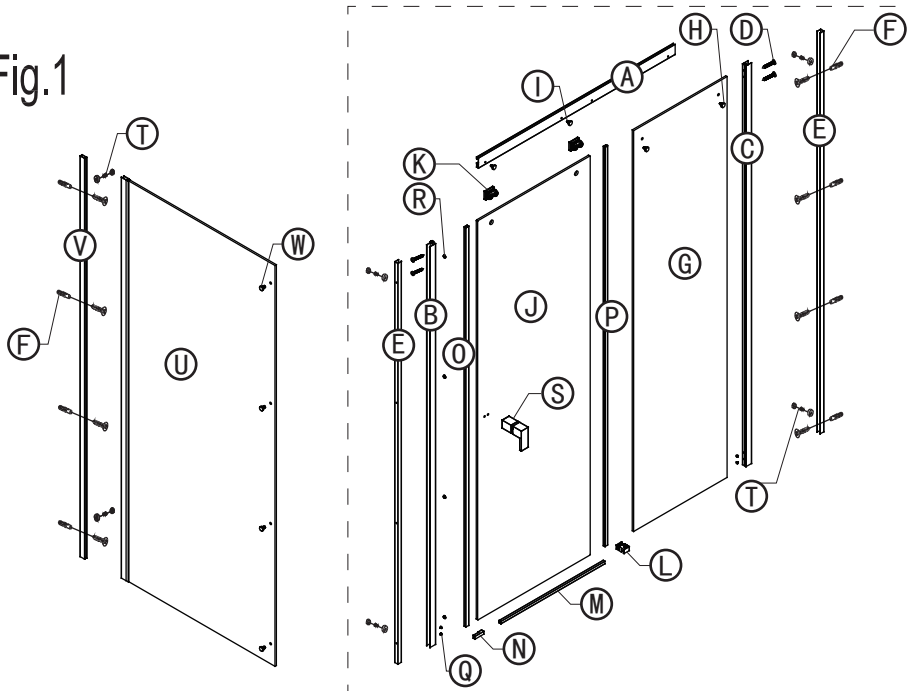
Pencil

Silicone sealer



Accessories list

Fig.1



N.O.	PART NAME	QUAN.	N.O.	PART NAME	QUAN.	N.O.	PART NAME	QUAN.	N.O.	PART NAME	QUAN.
A	TOP ALUMINIUM FRAME	1	G	FIXED PANEL	1	M	WATERPROOF	2	S	HANDLE	1
B	ALUMINIUM MAGNETIC PROFILE	1	H	M6*20 SCREW	2	N	WATERPROOF CONNECTOR	2	T	ST4*10 SCREW	4+2
C	ALUMINIUM POST PROFILE	1	I	M6*10 SCREW	2	O	MAGNETIC STRIPE	1	U	RETURN PANEL	1
D	ST4*32 SCREW	4	J	DOOR GLASS PANEL	1	P	RUBBER SEAL	1	V	WALL CHANNEL	1
E	WALL CHANNEL	2	K	WHEEL	2	Q	SMALL COVER	4	W	M5*20 SCREW	4
F	SCREW ST4*32 AND WALL PLUGS	8+4	L	SILDE BLOCK	1	R	BIG COVER	4			

- **Installation**

1. (Fig.2) Reversible fitting.
2. (Fig.3) Mark drilling positions on the wall as per the size of your shower enclosure, referring to the Fig.3 mount aluminum wall channel (item E) using ST4*32 (item F) screws with wall plugs. Pay special attention to the location of water pipes and electricity cables.
3. (Fig.4) Slide the fixed panel and return panel into wall channel, ensure it is positioned correctly.
4. (Fig.5) Drill holes through channel into wall profile. use screws to secure into place.
5. (Fig.6) Drill carefully, not to damage profile.

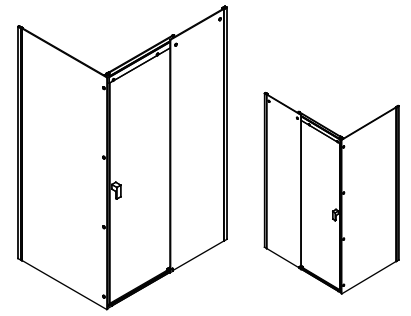


Fig.2

- **Sealing the enclosure**

1. Use only a top quality anti-fungal clear silicone sealer to seal between the profiles and walls, as well as between the panels and the shower tray only on the inside of the enclosure, Do not use the enclosure for at least 24 hours.

- **Looking after your shower enclosure**

1. Do not apply unnecessary downward pressure to the door during opening and closing, as this might result in damage to the enclosure.
2. Do not use abrasive chemicals to clean the glass or aluminum frame.

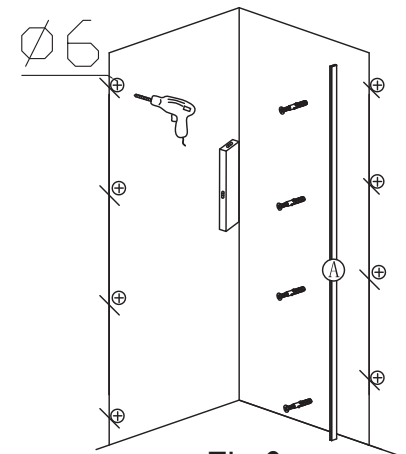


Fig.3

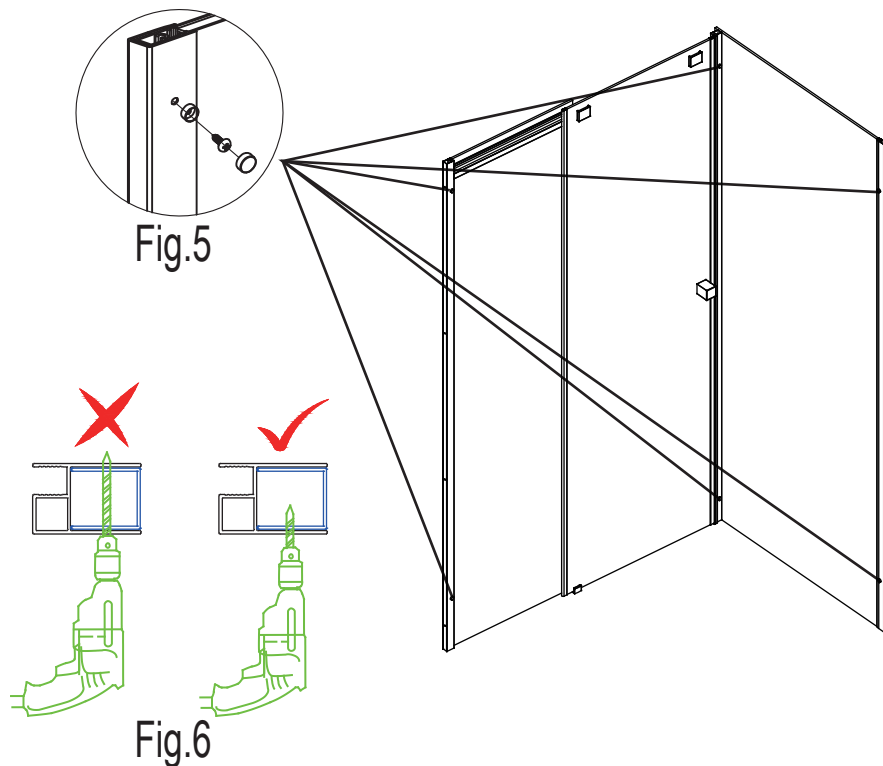


Fig.5

Fig.6

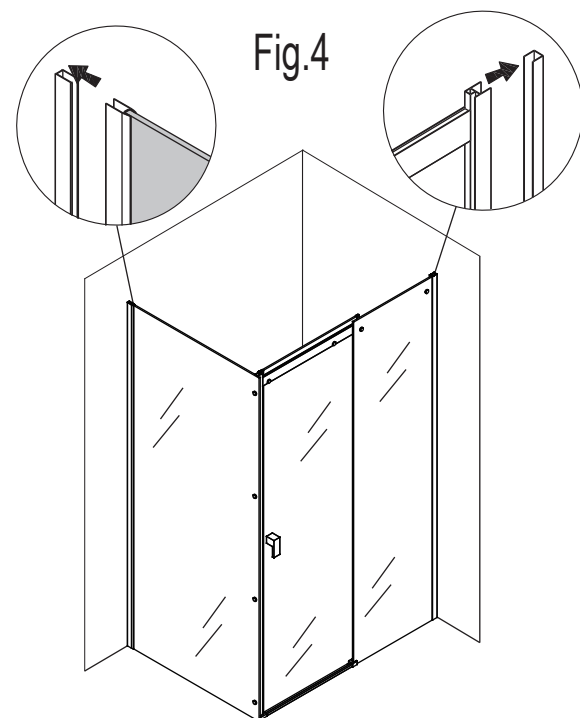
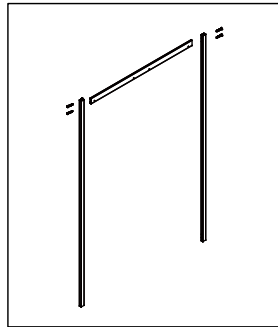


Fig.4

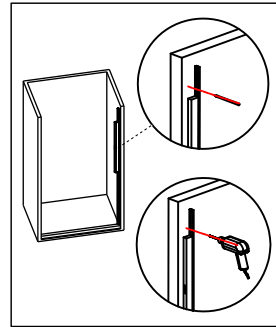
Installing CTSH9003(1200) enclosure between two walls.



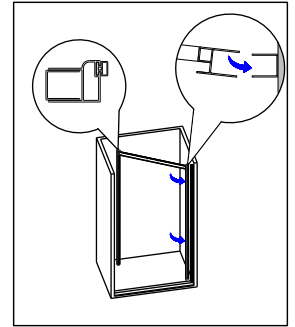
1. Ensure that the floor tray is level before you begin with the installation.



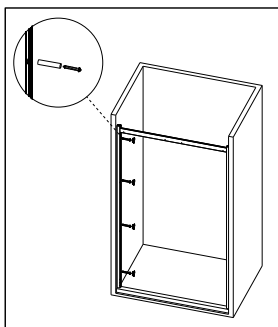
2. Select aluminum profile according to the door opening right or left.



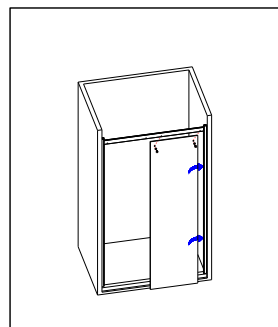
3. Ensure that you use a spirit level to make sure that the wall channel is completely plumb before you mark and drill the holes.



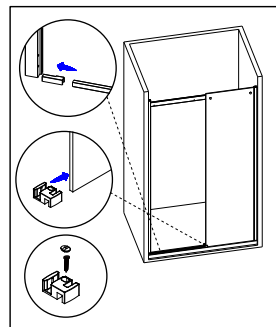
4. Insert the assembled frame to aluminum wall channel.



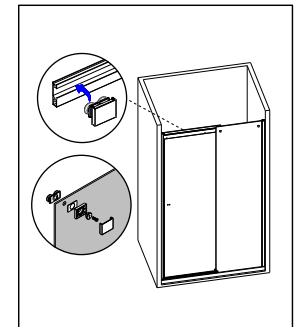
5. Use leading tube to fix wall plugs and screw.



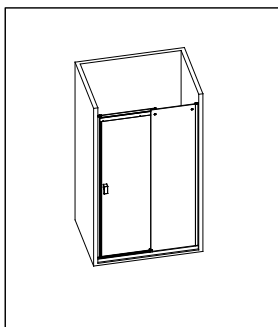
6. Install fixed panel to the post aluminum profile.



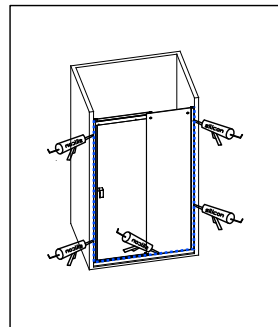
7. Install floor block and aluminum waterproof.



8. Install wheels and door glass panel.



9. Install handle magnetic stripe, rubber seal.

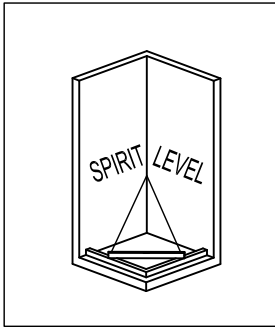


10. You now need to seal the enclosure with a good anti fungal silicone, only seal the out side of the enclosure. DO NOT SEAL THE ENCLOSURE ON BOTH SIDES!

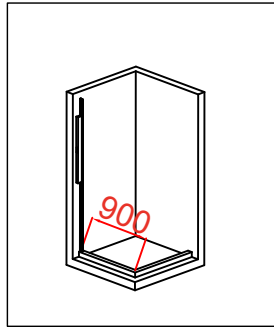


13. Allow the enclosure to dry for at least 24 hours before making use of it.

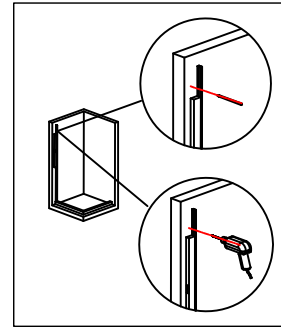
Installing a return panel CTSH9007(900) with shower enclosure.



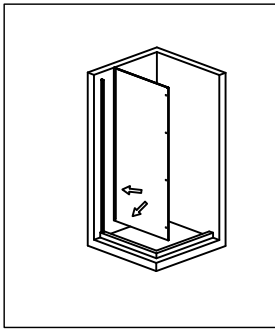
1. Ensure that the floor/tray is level before you begin with the Installation.



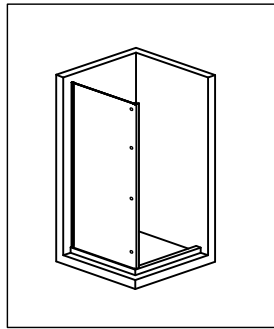
2. Measure 885 / 800-1000mm from the 90 degree corner to mark the outer position of the aluminium wall channel.



3. Ensure that you use a spirit level to make sure that the wall channel is completely plumb before you mark and drill the holes.



4. Insert return panel.



5. The follow is the same instructions as installing between two walls.



6. Allow the enclosure to dry for at least 24 hours before making use of it.